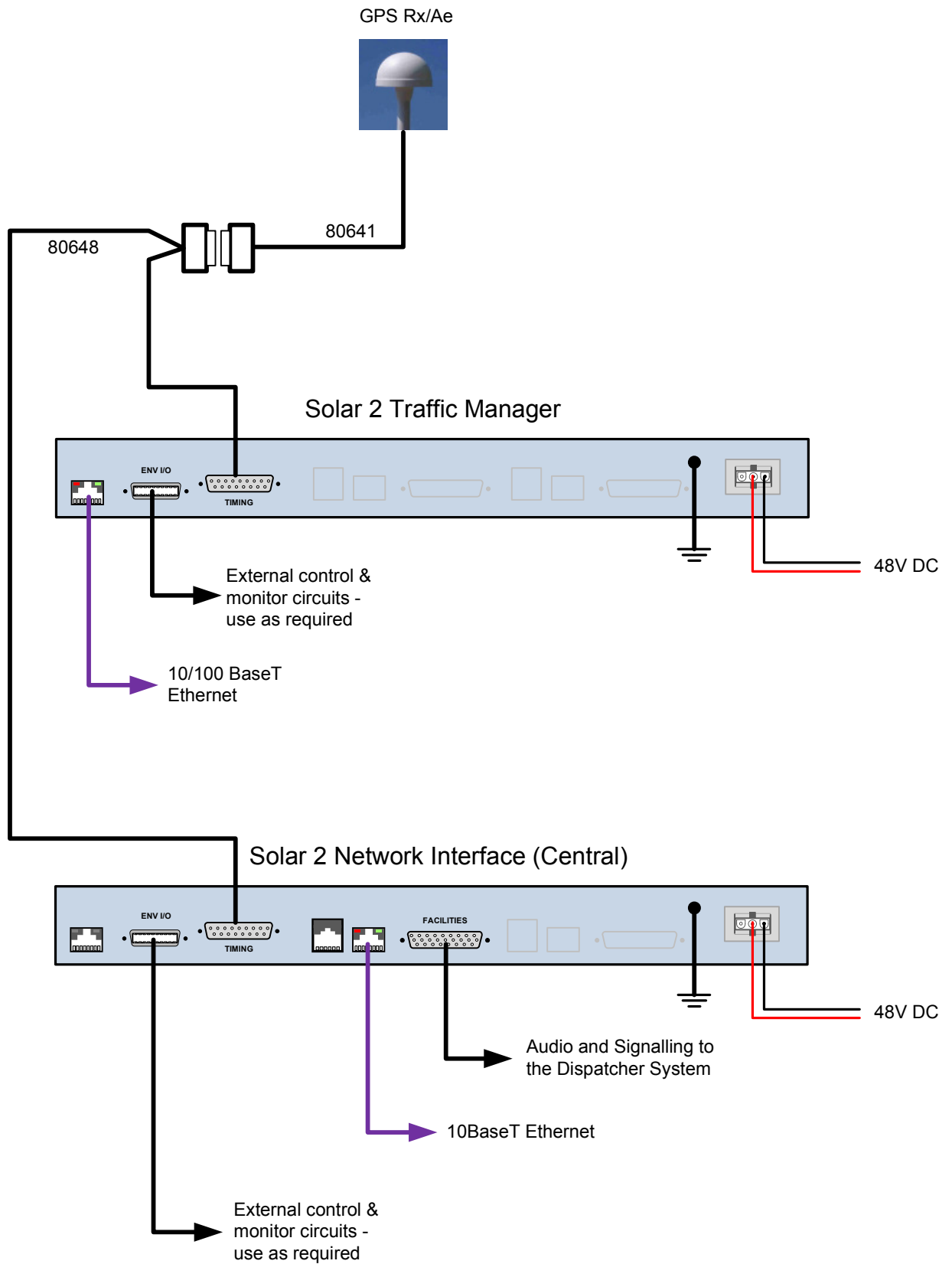


**Team Simoco**  
A Simoco Group Company

All rights strictly reserved. Reproduction or issue to third parties in any form whatsoever is not permitted without written authority from the proprietor

TITLE Schematic view of the connections of a Station NI for New Brunswick DoT

Team Simoco Ltd. © 2012 | Team Simoco Ltd, Derby, England www.teamsimoco.com



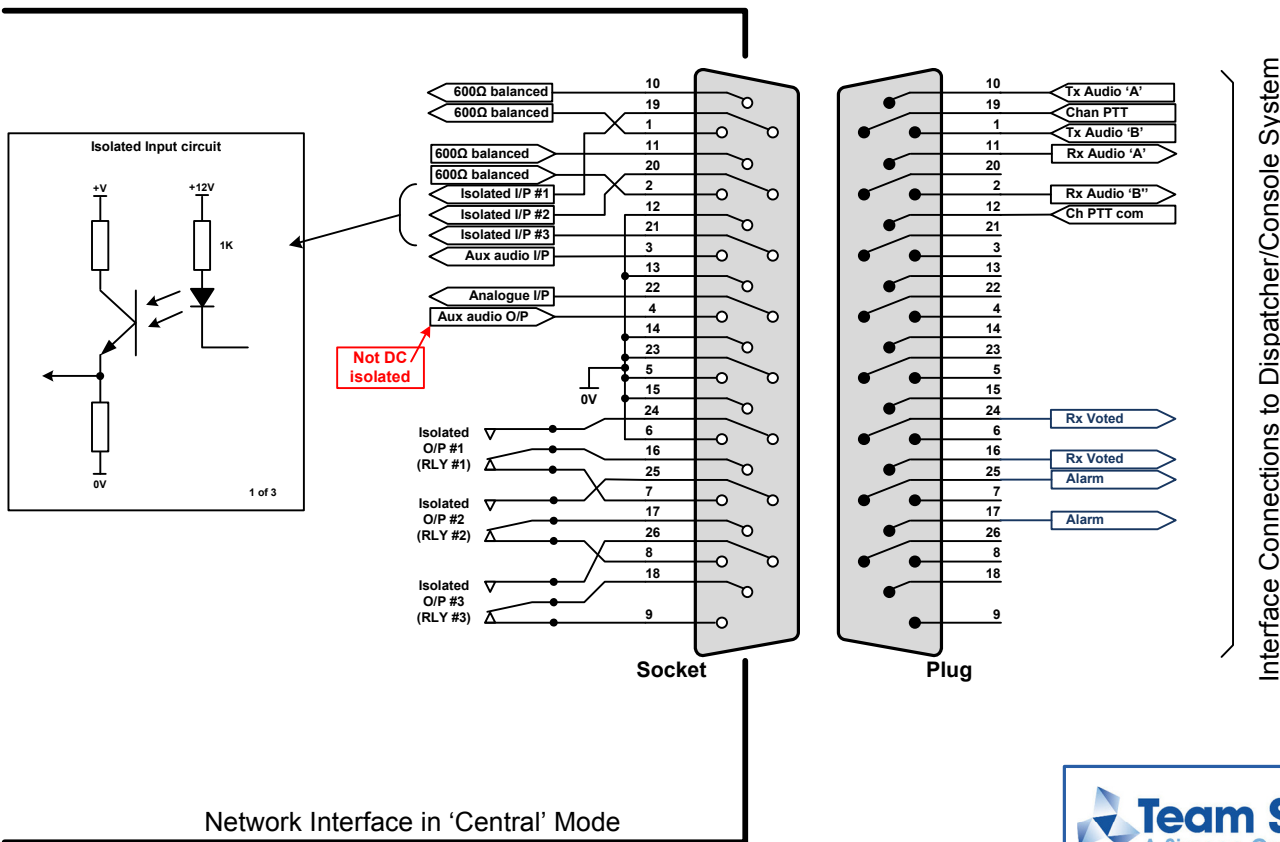
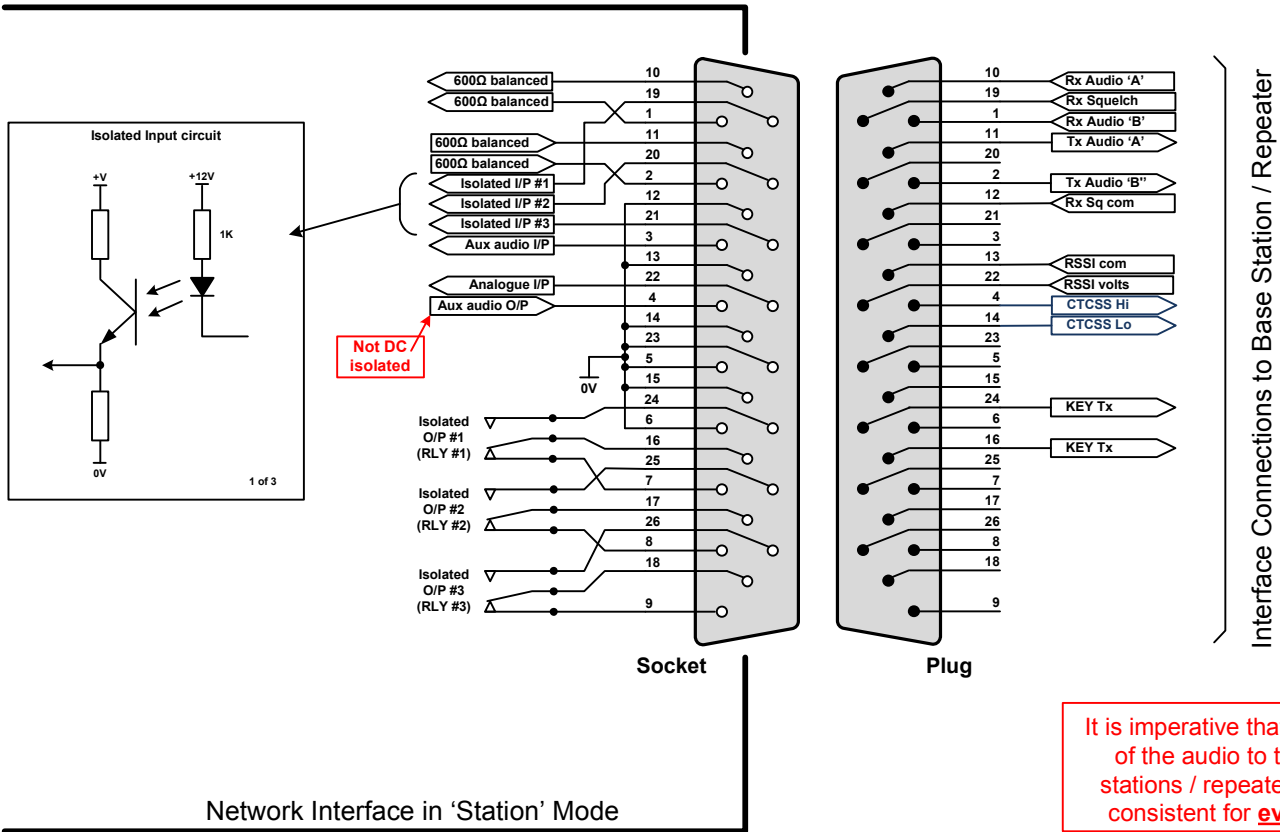
**Team Simoco**  
A Simoco Group Company

All rights strictly reserved. Reproduction or issue to third parties in any form whatsoever is not permitted without written authority from the proprietor

TITLE  
Schematic view of the connections of a TM & Central NI for New Brunswick DoT

Team Simoco Ltd. © 2012 | Team Simoco Ltd, Derby, England www.teamsimoco.com

# SOLAR 2 Network Interface Facilities Connector



Connections shown in blue text are optional



**Team Simoco**  
A Simoco Group Company

All rights strictly reserved. Reproduction or issue to third parties in any form whatsoever is not permitted without written authority from the proprietor

TITLE Interface connections for Solar 2 Network Interface in Station & Central modes.

Team Simoco Ltd. © 2012      Team Simoco Ltd, Derby, England www.teamsimoco.com